



SCIGATE AUTOMATION (S) PTE LTD

No.1 Bukit Batok Street 22 #01-01 Singapore 659592
Tel: (65) 6561 0488 Fax: (65) 6562 0588
Email: sales@scigate.com.sg Web: www.scigate.com.sg
Business Hours: Monday - Friday 8.30am - 6.15pm

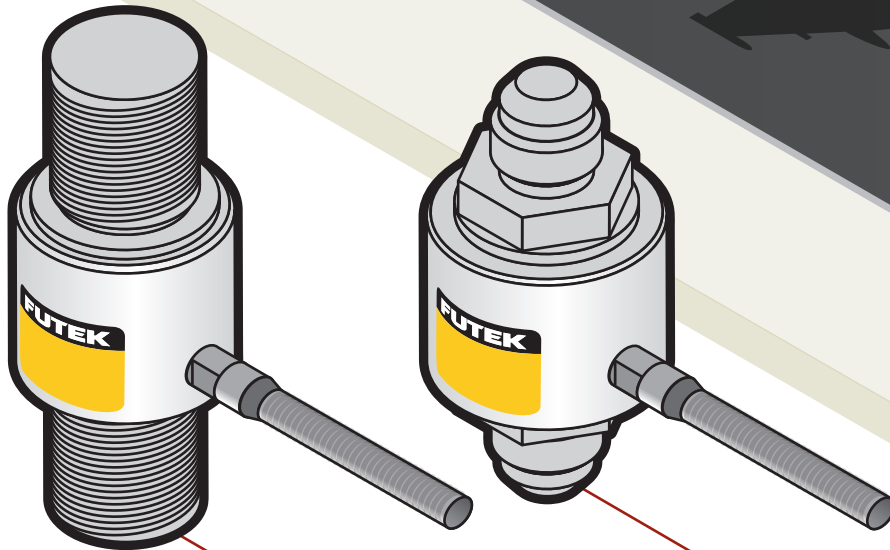
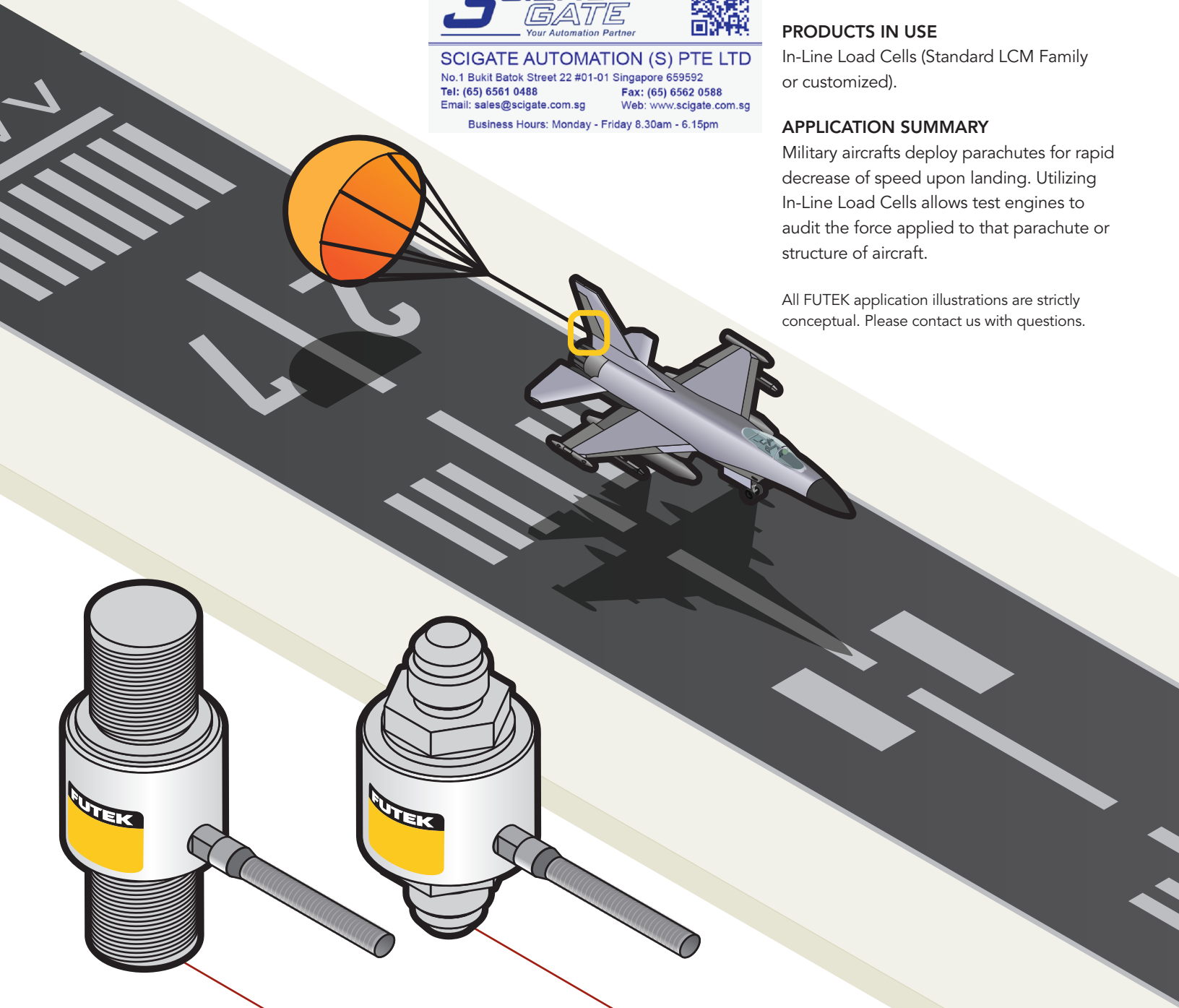
PRODUCTS IN USE

In-Line Load Cells (Standard LCM Family or customized).

APPLICATION SUMMARY

Military aircrafts deploy parachutes for rapid decrease of speed upon landing. Utilizing In-Line Load Cells allows test engines to audit the force applied to that parachute or structure of aircraft.

All FUTEK application illustrations are strictly conceptual. Please contact us with questions.



Miniature Inline Threaded Tension and Compression Load Cell

LCM Series

Miniature Inline Threaded Load Cell

QLA317

